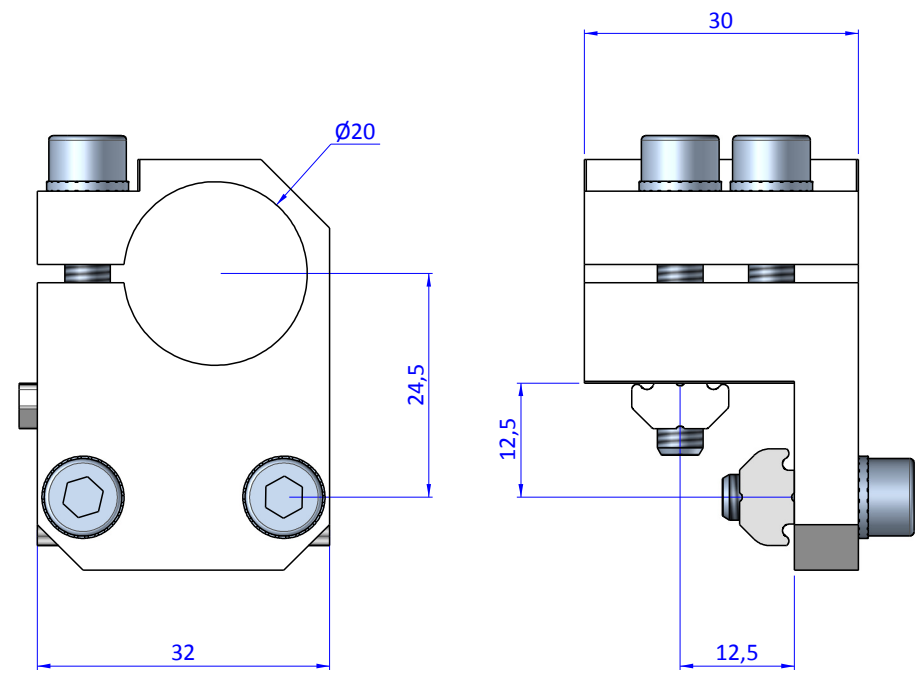
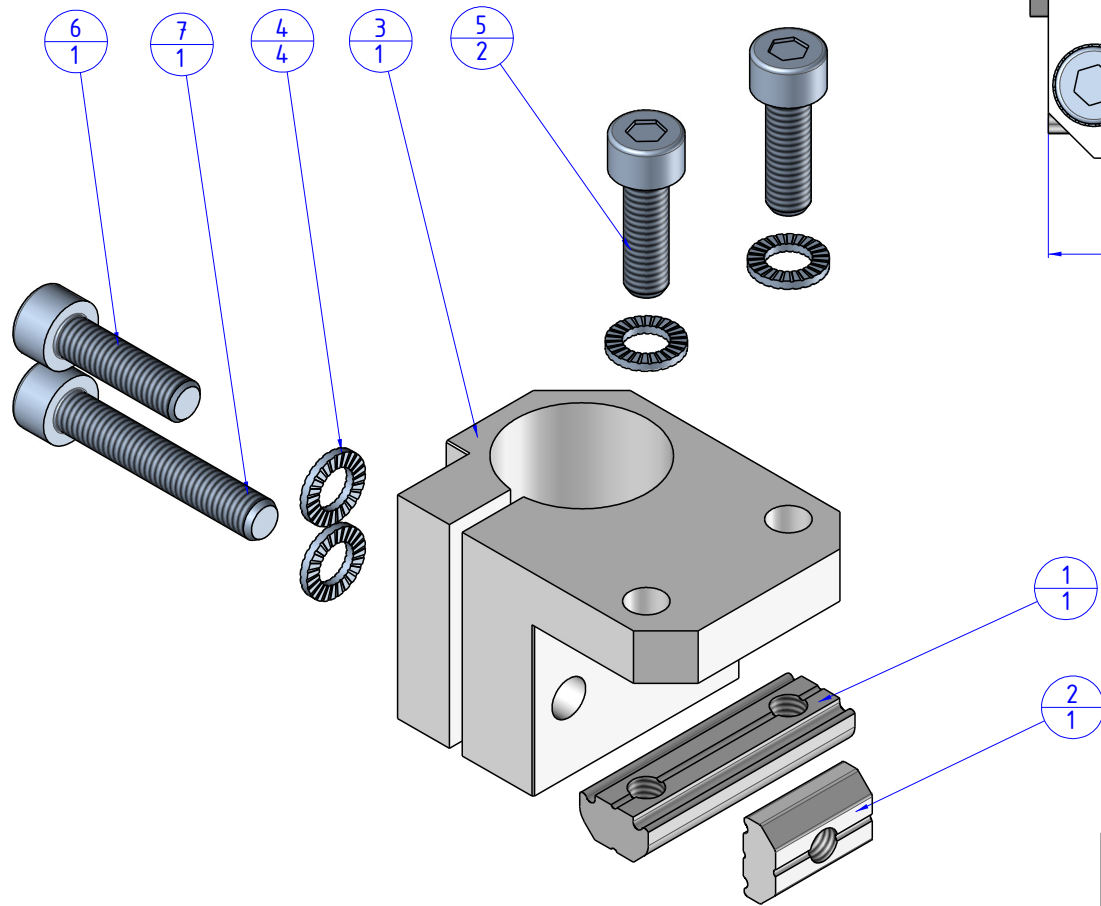


THE PROPERTY OF THE DRAWING IS ESTABLISHED BY LAW. IT IS FORBIDDEN TO PRODUCE OR SHOW IT TO THIRD PARTY, WITHOUT A WRITTEN AGREEMENT.

Item	Name	Q.ty
1	CA.GWP.5.22	1
2	CA.GWP.5U	1
3	KSW.20.X	1
4	R.5.SCH	4
5	V.TCE5x16	2
6	V.TCE5x18	1
7	V.TCE5x30	1



Format A3  
UNI 936-76

		DESIGNED FROM		REVIEW
		FPSERVICES		A
GENERAL TOLERANCE		DATE	WEIGHT	
UNI - ISO 2768		30/04/2016	0,080kg	
CLASSE f		CODE		
		CA.KSW.20.X		